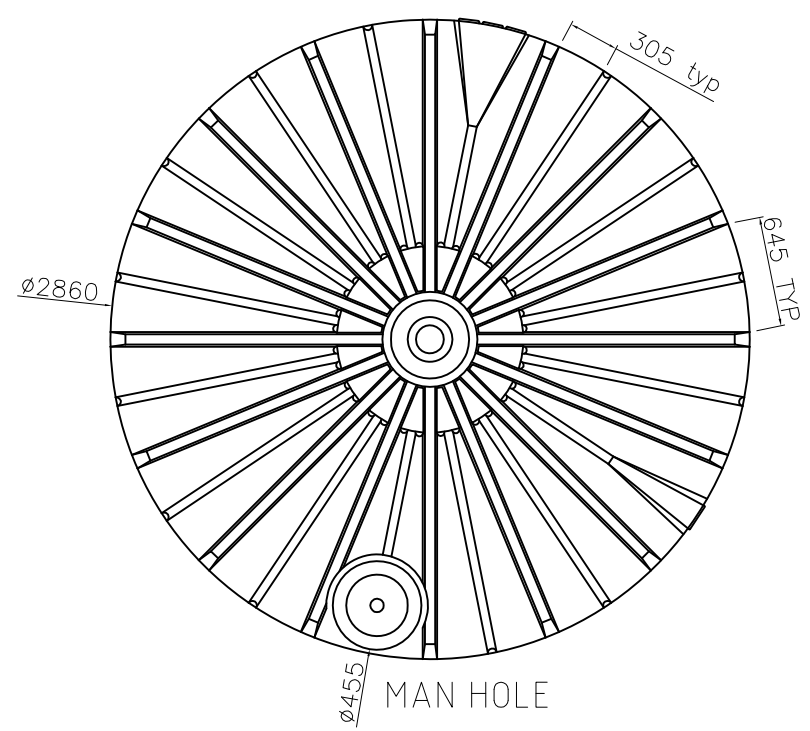
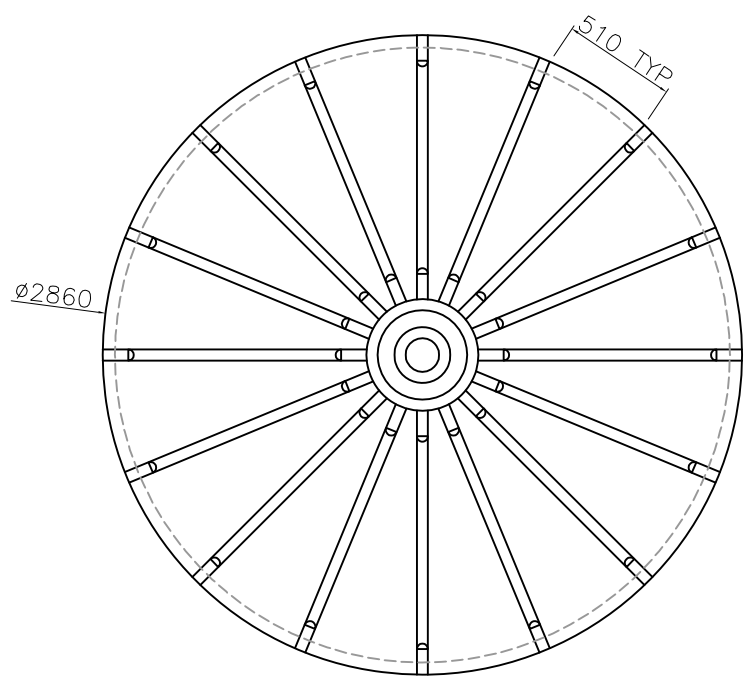


FRONT VIEW 1:50



TOP VIEW 1:50



BOTTOM VIEW 1:50



PERSPECTIVE

SERVICE : 13600 LITRE INDUSTRIAL TANK			
QUANTITY : 1 OFF			
ITEM LIST			
ITEM	QTY	SIZE	DESCRIPTION
MAN HOLE	1	Ø455	MAN WAY ENTERY
MATERIAL			
ROOF	MDPE		
SHELL	MDPE		
OTHER			
TYPE SUPPORT	CENTRE POLE ASSEMBLY		
MANHOLE COVER / DAVIT	NOT INCLUDED		
CLIPS FOR LADDERS/PLATFORMS	NOT INCLUDED		
CLIPS FOR PIPE SUPPORTS/GUIDES	NOT INCLUDED		
LIFTING LUGS	NOT INCLUDED		
INSULATION	NIL		

REVISIONS	No.	DATE	REVISION	BY	CHKD.	PROJ. ENG.	ENGR. MGR.	CLIENT
A	11 OCT 2007	ISSUED FOR APPROVAL		K.S.	R.G.	M.J.	D.McG.	

COPYRIGHT
 NOTE THAT UPON ACCEPTANCE OF THIS DRAWING, IT IS EXPRESSLY AGREED THAT THIS DRAWING IS THE PROPERTY OF CLARK TANKS. THIS DRAWING AND ALL INFORMATION HEREIN CONTAINED REMAIN THE PROPERTY OF CLARK TANKS AND SHALL NOT, WITHOUT PRIOR WRITTEN CONSENT, BE COPIED EITHER DIRECTLY OR INDIRECTLY, IN WHOLE OR IN PART OR BE USED TO ASSIST IN PRODUCTION OF OR TO FURNISH ANY INFORMATION FOR THE MAKING OF ANY DRAWINGS, PHOTOCOPIES, PRINTS OR OTHER REPRODUCTIONS THEREOF.

TITLE :		13600 LITRE INDUSTRIAL TANK	
GENERAL ARRANGEMENT & DETAILS			
JOB NUMBER	ISSUE DATE	SCALE	
CTI 001	11 OCT 2007	1 :50	
A1	DWG. No.	CT-07-13600	REV. A