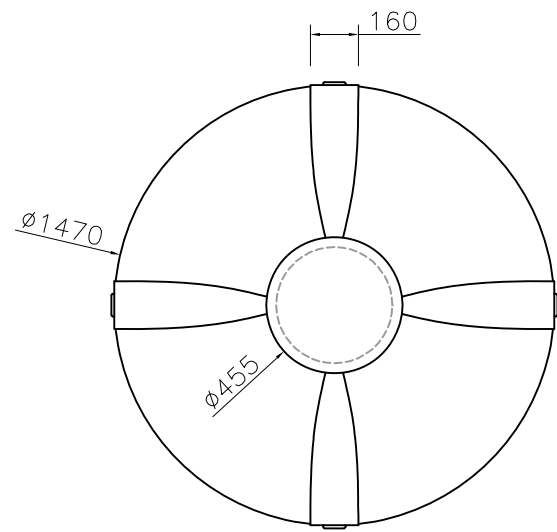
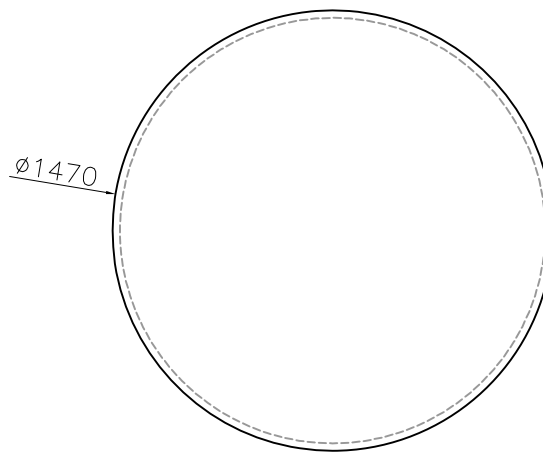


FRONT VIEW 1:50



TOP VIEW 1:50



BOTTOM VIEW 1:50



PERSPECTIVE

SERVICE : 3000 LITRE INDUSTRIAL TANK			
QUANTITY : 1 OFF			
ITEM LIST			
ITEM	QTY	SIZE	DESCRIPTION
MAN HOLE	1	Ø455	MAN WAY ENTRY
MATERIAL			
ROOF	MDPE		
SHELL	MDPE		
OTHER			
TYPE SUPPORT	NIL		
MANHOLE COVER / DAVIT	NOT INCLUDED		
CLIPS FOR LADDERS/PLATFORMS	NOT INCLUDED		
CLIPS FOR PIPE SUPPORTS/GUIDES	NOT INCLUDED		
LIFTING LUGS	NOT INCLUDED		
INSULATION	NIL		