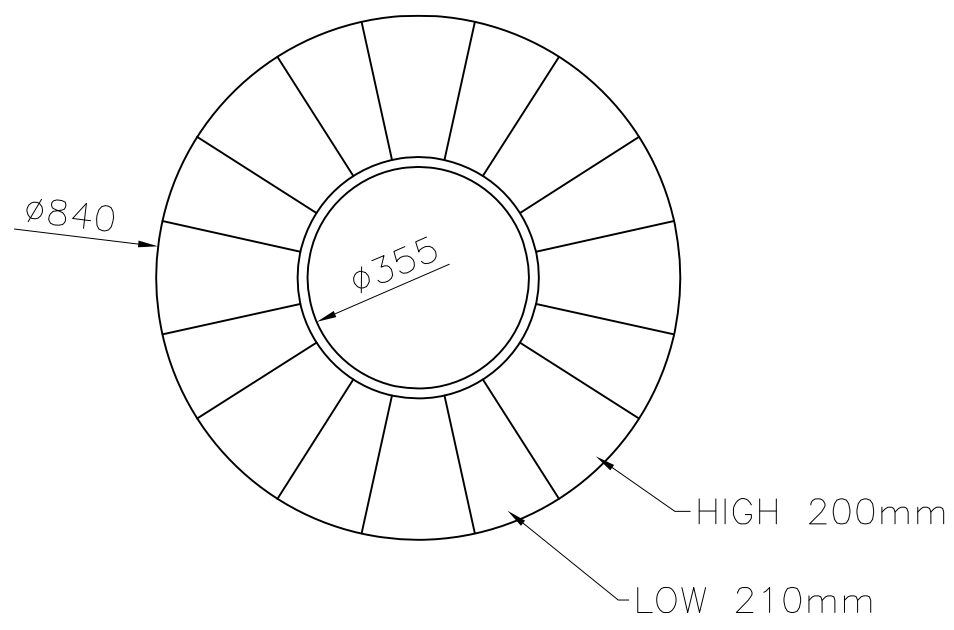
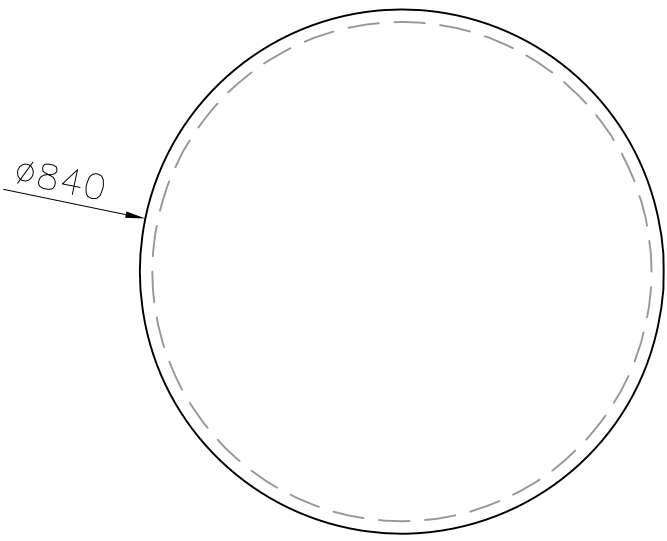


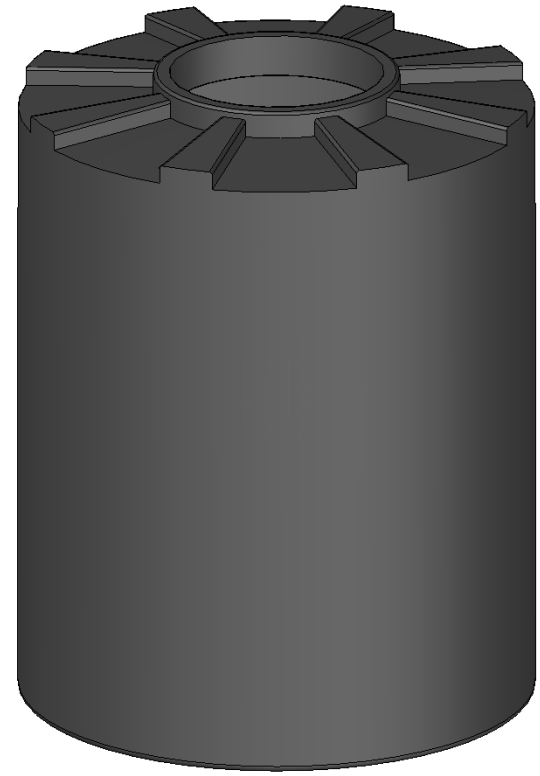
FRONT VIEW 1:50



TOP VIEW 1:50



BOTTOM VIEW 1:50



PERSPECTIVE

SERVICE : 500 LITRE INDUSTRIAL TANK			
QUANTITY : 1 OFF			
ITEM LIST			
ITEM	QTY	SIZE	DESCRIPTION
MAN HOLE	1	Ø355	MAN WAY ENTERY
MATERIAL			
ROOF	MDPE		
SHELL	MDPE		
OTHER			
TYPE SUPPORT	NIL		
MANHOLE COVER / DAVIT	NOT INCLUDED		
CLIPS FOR LADDERS/PLATFORMS	NOT INCLUDED		
CLIPS FOR PIPE SUPPORTS/GUIDES	NOT INCLUDED		
LIFTING LUGS	NOT INCLUDED		
INSULATION	NIL		



REVISIONS									<small>COPYRIGHT</small> NOTE THAT UPON ACCEPTANCE OF THIS DRAWING, IT IS EXPRESSLY AGREED THAT THIS DRAWING IS THE PROPERTY OF CLARK TANKS. THIS DRAWING AND ALL INFORMATION HEREIN CONTAINED REMAIN THE PROPERTY OF CLARK TANKS AND SHALL NOT, WITHOUT PRIOR WRITTEN CONSENT, BE COPIED EITHER DIRECTLY OR INDIRECTLY, IN WHOLE OR IN PART OR BE USED TO ASSIST IN PRODUCTION OF OR TO FURNISH ANY INFORMATION FOR THE MAKING OF ANY DRAWINGS, PHOTOCOPIES, PRINTS OR OTHER REPRODUCTIONS THEREOF.	TITLE : 500 LITRE INDUSTRIAL TANK GENERAL ARRANGEMENT & DETAILS			
	A	11 OCT 2007	ISSUED FOR APPROVAL	K.S.	R.G.	M.J.	D.McG.						
No.	DATE	REVISION	BY	CHKD.	PROJ. ENGR.	ENGR. MGR.	CLIENT	JOB NUMBER	ISSUE DATE	SCALE	A1	DWG. No.	REV.
								CTI 001	11 OCT 2007	1 :50		CT-07-500	A